



GN 302.1

Flat adjustable hand levers

Zinc die casting, Bushing / Threaded bolt Stainless Steel



Specification

Handle
Zinc die casting

plastic coated
black, RAL 9005, textured finish **SW**
orange, RAL 2004, textured finish **OS**
red, RAL 3000, textured finish **RS**
silver, RAL 9006, textured finish **SR**

Version with threaded insert

Bushing and retaining screw
Stainless Steel AISI 303

Version with threaded stud

Threaded stud and retaining screw
Stainless Steel AISI 303

Information

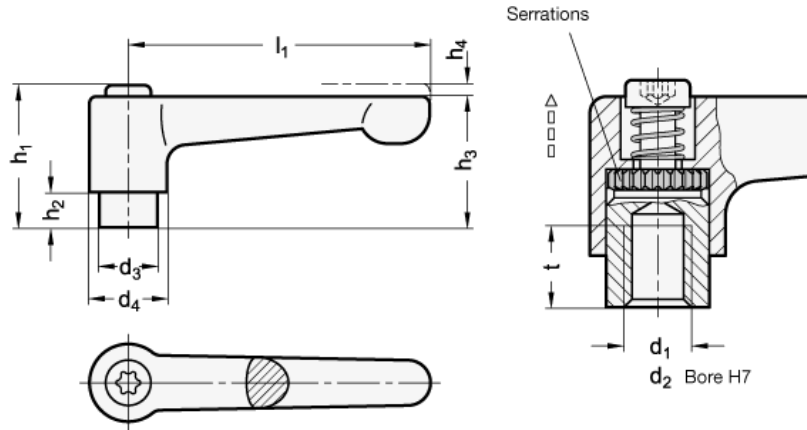
Adjustable hand levers GN 302.1 have a straight lever, not inclined, being parallel to the clamping space.

Adjustable hand levers are ideal whenever parts have to be clamped in a confined space or in a particular lever position. The centre insert is connected to the lever via serrations which can easily be disengaged.

Pulling the lever, disengages the serrations and allowing it to be swivelled to the ideal clamping position. On releasing the lever the serrations automatically re-engage.

Technical information

- [ISO-Fundamental tolerances](#)
- [Stainless Steel characteristics](#)

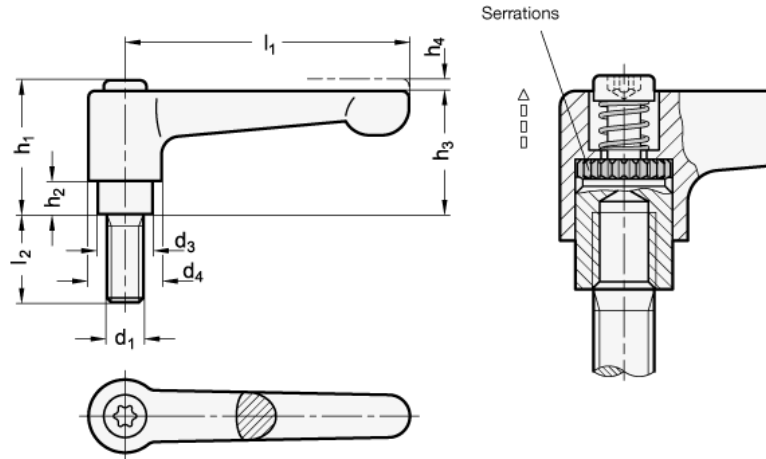


- Black (RAL 9005) SW
- Orange (RAL 2004) OS
- Red (RAL 3000) RS
- Silver (RAL 9006) SR

GN 302.1-with threaded insert

Description	l ₁	d ₁	d ₂ H7	d ₃	d ₄	h ₁	h ₂	h ₃	h ₄	t min.	Weight
GN 302.1-30-B5-SW	30	-	B 5	10	13	24.5	4	22	3.5	9	20
GN 302.1-30-B5-OS	30	-	B 5	10	13	24.5	4	22	3.5	9	20
GN 302.1-30-B5-RS	30	-	B 5	10	13	24.5	4	22	3.5	9	20
GN 302.1-30-B5-SR	30	-	B 5	10	13	24.5	4	22	3.5	9	20
GN 302.1-30-B6-SW	30	-	B 6	10	13	24.5	4	22	3.5	9	16
GN 302.1-30-B6-OS	30	-	B 6	10	13	24.5	4	22	3.5	9	16
GN 302.1-30-B6-RS	30	-	B 6	10	13	24.5	4	22	3.5	9	16
GN 302.1-30-B6-SR	30	-	B 6	10	13	24.5	4	22	3.5	9	16
GN 302.1-22-M3-SW	22	M 3	-	8	10.5	18.5	2	16.5	3	5	14
GN 302.1-22-M3-OS	22	M 3	-	8	10.5	18.5	2	16.5	3	5	14
GN 302.1-22-M3-RS	22	M 3	-	8	10.5	18.5	2	16.5	3	5	14
GN 302.1-22-M3-SR	22	M 3	-	8	10.5	18.5	2	16.5	3	5	14
GN 302.1-22-M4-SW	22	M 4	-	8	10.5	18.5	2	16.5	3	5	14
GN 302.1-22-M4-OS	22	M 4	-	8	10.5	18.5	2	16.5	3	5	14
GN 302.1-22-M4-RS	22	M 4	-	8	10.5	18.5	2	16.5	3	5	14
GN 302.1-22-M4-SR	22	M 4	-	8	10.5	18.5	2	16.5	3	5	14
GN 302.1-22-M5-SW	22	M 5	-	8	10.5	18.5	2	16.5	3	5	14
GN 302.1-22-M5-OS	22	M 5	-	8	10.5	18.5	2	16.5	3	5	14
GN 302.1-22-M5-RS	22	M 5	-	8	10.5	18.5	2	16.5	3	5	14
GN 302.1-22-M5-SR	22	M 5	-	8	10.5	18.5	2	16.5	3	5	14
GN 302.1-30-M4-SW	30	M 4	-	10	13	24.5	4	22	3.5	9	26
GN 302.1-30-M4-OS	30	M 4	-	10	13	24.5	4	22	3.5	9	26
GN 302.1-30-M4-RS	30	M 4	-	10	13	24.5	4	22	3.5	9	26
GN 302.1-30-M4-SR	30	M 4	-	10	13	24.5	4	22	3.5	9	26
GN 302.1-30-M5-SW	30	M 5	-	10	13	24.5	4	22	3.5	9	24
GN 302.1-30-M5-OS	30	M 5	-	10	13	24.5	4	22	3.5	9	24
GN 302.1-30-M5-RS	30	M 5	-	10	13	24.5	4	22	3.5	9	24
GN 302.1-30-M5-SR	30	M 5	-	10	13	24.5	4	22	3.5	9	24
GN 302.1-30-M6-SW	30	M 6	-	10	13	24.5	4	22	3.5	9	25
GN 302.1-30-M6-OS	30	M 6	-	10	13	24.5	4	22	3.5	9	25
GN 302.1-30-M6-RS	30	M 6	-	10	13	24.5	4	22	3.5	9	25
GN 302.1-30-M6-SR	30	M 6	-	10	13	24.5	4	22	3.5	9	25
GN 302.1-45-B5-SW	45	-	B 5	10	13	24.5	4	22	3.5	9	27
GN 302.1-45-B5-OS	45	-	B 5	10	13	24.5	4	22	3.5	9	27
GN 302.1-45-B5-RS	45	-	B 5	10	13	24.5	4	22	3.5	9	27
GN 302.1-45-B5-SR	45	-	B 5	10	13	24.5	4	22	3.5	9	27
GN 302.1-45-B6-SW	45	-	B 6	10	13	24.5	4	22	3.5	9	27
GN 302.1-45-B6-OS	45	-	B 6	10	13	24.5	4	22	3.5	9	27
GN 302.1-45-B6-RS	45	-	B 6	10	13	24.5	4	22	3.5	9	27
GN 302.1-45-B6-SR	45	-	B 6	10	13	24.5	4	22	3.5	9	27
GN 302.1-45-M4-SW	45	M 4	-	10	13	24.5	4	22	3.5	9	33
GN 302.1-45-M4-OS	45	M 4	-	10	13	24.5	4	22	3.5	9	33
GN 302.1-45-M4-RS	45	M 4	-	10	13	24.5	4	22	3.5	9	33
GN 302.1-45-M4-SR	45	M 4	-	10	13	24.5	4	22	3.5	9	33
GN 302.1-45-M5-SW	45	M 5	-	10	13	24.5	4	22	3.5	9	31
GN 302.1-45-M5-OS	45	M 5	-	10	13	24.5	4	22	3.5	9	31
GN 302.1-45-M5-RS	45	M 5	-	10	13	24.5	4	22	3.5	9	31
GN 302.1-45-M5-SR	45	M 5	-	10	13	24.5	4	22	3.5	9	31
GN 302.1-45-M6-SW	45	M 6	-	10	13	24.5	4	22	3.5	9	32
GN 302.1-45-M6-OS	45	M 6	-	10	13	24.5	4	22	3.5	9	32
GN 302.1-45-M6-RS	45	M 6	-	10	13	24.5	4	22	3.5	9	32

GN 302.1-45-M6-SR	45	M 6	-	10	13	24.5	4	22	3.5	9	32
GN 302.1-63-B8-SW	63	-	B 8	13.5	17.5	31	6.5	16.5	3	11	71
GN 302.1-63-B8-OS	63	-	B 8	13.5	17.5	31	6.5	16.5	3	11	71
GN 302.1-63-B8-RS	63	-	B 8	13.5	17.5	31	6.5	16.5	3	11	71
GN 302.1-63-B8-SR	63	-	B 8	13.5	17.5	31	6.5	16.5	3	11	71
GN 302.1-63-M6-SW	63	M 6	-	13.5	17.5	31	6.5	16.5	3	11	74
GN 302.1-63-M6-OS	63	M 6	-	13.5	17.5	31	6.5	16.5	3	11	74
GN 302.1-63-M6-RS	63	M 6	-	13.5	17.5	31	6.5	16.5	3	11	74
GN 302.1-63-M6-SR	63	M 6	-	13.5	17.5	31	6.5	16.5	3	11	74
GN 302.1-63-M8-SW	63	M 8	-	13.5	17.5	31	6.5	16.5	3	11	59
GN 302.1-63-M8-OS	63	M 8	-	13.5	17.5	31	6.5	16.5	3	11	59
GN 302.1-63-M8-RS	63	M 8	-	13.5	17.5	31	6.5	16.5	3	11	59
GN 302.1-63-M8-SR	63	M 8	-	13.5	17.5	31	6.5	16.5	3	11	59
GN 302.1-78-M8-SW	78	M 8	-	16	21	36	8	16.5	3	14	125
GN 302.1-78-M8-OS	78	M 8	-	16	21	36	8	16.5	3	14	125
GN 302.1-78-M8-RS	78	M 8	-	16	21	36	8	16.5	3	14	125
GN 302.1-78-M8-SR	78	M 8	-	16	21	36	8	16.5	3	14	125
GN 302.1-78-B8-SW	78	-	B 8	16	21	36	8	16.5	3	14	123
GN 302.1-78-B8-OS	78	-	B 8	16	21	36	8	16.5	3	14	123
GN 302.1-78-B8-RS	78	-	B 8	16	21	36	8	16.5	3	14	123
GN 302.1-78-B8-SR	78	-	B 8	16	21	36	8	16.5	3	14	123
GN 302.1-78-B10-SW	78	-	B 10	16	21	36	8	16.5	3	14	125
GN 302.1-78-B10-OS	78	-	B 10	16	21	36	8	16.5	3	14	125
GN 302.1-78-B10-RS	78	-	B 10	16	21	36	8	16.5	3	14	125
GN 302.1-78-B10-SR	78	-	B 10	16	21	36	8	16.5	3	14	125
GN 302.1-78-M10-SW	78	M 10	-	16	21	36	8	16.5	3	14	125
GN 302.1-78-M10-OS	78	M 10	-	16	21	36	8	16.5	3	14	125
GN 302.1-78-M10-RS	78	M 10	-	16	21	36	8	16.5	3	14	125
GN 302.1-78-M10-SR	78	M 10	-	16	21	36	8	16.5	3	14	125
GN 302.1-78-M12-SW	78	M 12	-	16	21	36	8	16.5	3	14	125
GN 302.1-78-M12-OS	78	M 12	-	16	21	36	8	16.5	3	14	125
GN 302.1-78-M12-RS	78	M 12	-	16	21	36	8	16.5	3	14	125
GN 302.1-78-M12-SR	78	M 12	-	16	21	36	8	16.5	3	14	125



- Black (RAL 9005) SW
- Orange (RAL 2004) OS
- Red (RAL 3000) RS
- Silver (RAL 9006) SR

GN 302.1-with threaded stud

Description	l ₁	d ₁	l ₂	d ₃	d ₄	h ₁	h ₂	h ₃	h ₄	Weight
GN 302.1-22-M3-6-SW	22	M 3	6	8	10.5	18.5	2	16.5	3	15
GN 302.1-22-M3-6-OS	22	M 3	6	8	10.5	18.5	2	16.5	3	15
GN 302.1-22-M3-6-RS	22	M 3	6	8	10.5	18.5	2	16.5	3	15
GN 302.1-22-M3-6-SR	22	M 3	6	8	10.5	18.5	2	16.5	3	15
GN 302.1-22-M3-8-SW	22	M 3	8	8	10.5	18.5	2	16.5	3	14
GN 302.1-22-M3-8-OS	22	M 3	8	8	10.5	18.5	2	16.5	3	14
GN 302.1-22-M3-8-RS	22	M 3	8	8	10.5	18.5	2	16.5	3	14
GN 302.1-22-M3-8-SR	22	M 3	8	8	10.5	18.5	2	16.5	3	14
GN 302.1-22-M3-10-SW	22	M 3	10	8	10.5	18.5	2	16.5	3	15
GN 302.1-22-M3-10-OS	22	M 3	10	8	10.5	18.5	2	16.5	3	15
GN 302.1-22-M3-10-RS	22	M 3	10	8	10.5	18.5	2	16.5	3	15
GN 302.1-22-M3-10-SR	22	M 3	10	8	10.5	18.5	2	16.5	3	15
GN 302.1-22-M3-12-SW	22	M 3	12	8	10.5	18.5	2	16.5	3	15
GN 302.1-22-M3-12-OS	22	M 3	12	8	10.5	18.5	2	16.5	3	15
GN 302.1-22-M3-12-RS	22	M 3	12	8	10.5	18.5	2	16.5	3	15
GN 302.1-22-M3-12-SR	22	M 3	12	8	10.5	18.5	2	16.5	3	15
GN 302.1-22-M3-16-SW	22	M 3	16	8	10.5	18.5	2	16.5	3	15
GN 302.1-22-M3-16-OS	22	M 3	16	8	10.5	18.5	2	16.5	3	15
GN 302.1-22-M3-16-RS	22	M 3	16	8	10.5	18.5	2	16.5	3	15
GN 302.1-22-M3-16-SR	22	M 3	16	8	10.5	18.5	2	16.5	3	15
GN 302.1-22-M4-12-SW	22	M 4	12	8	10.5	18.5	2	16.5	3	15
GN 302.1-22-M4-12-OS	22	M 4	12	8	10.5	18.5	2	16.5	3	15
GN 302.1-22-M4-12-RS	22	M 4	12	8	10.5	18.5	2	16.5	3	15
GN 302.1-22-M4-12-SR	22	M 4	12	8	10.5	18.5	2	16.5	3	15
GN 302.1-22-M5-12-SW	22	M 5	12	8	10.5	18.5	2	16.5	3	16
GN 302.1-22-M5-12-OS	22	M 5	12	8	10.5	18.5	2	16.5	3	16
GN 302.1-22-M5-12-RS	22	M 5	12	8	10.5	18.5	2	16.5	3	16
GN 302.1-22-M5-12-SR	22	M 5	12	8	10.5	18.5	2	16.5	3	16
GN 302.1-22-M4-16-SW	22	M 4	16	8	10.5	18.5	2	22	3.5	16
GN 302.1-22-M4-16-OS	22	M 4	16	8	10.5	18.5	2	22	3.5	16
GN 302.1-22-M4-16-RS	22	M 4	16	8	10.5	18.5	2	22	3.5	16
GN 302.1-22-M4-16-SR	22	M 4	16	8	10.5	18.5	2	22	3.5	16
GN 302.1-22-M5-16-SW	22	M 5	16	8	10.5	18.5	2	22	3.5	16
GN 302.1-22-M5-16-OS	22	M 5	16	8	10.5	18.5	2	22	3.5	16
GN 302.1-22-M5-16-RS	22	M 5	16	8	10.5	18.5	2	22	3.5	16
GN 302.1-22-M5-16-SR	22	M 5	16	8	10.5	18.5	2	22	3.5	16
GN 302.1-22-M4-20-SW	22	M 4	20	8	10.5	18.5	2	22	3.5	16
GN 302.1-22-M4-20-OS	22	M 4	20	8	10.5	18.5	2	22	3.5	16
GN 302.1-22-M4-20-RS	22	M 4	20	8	10.5	18.5	2	22	3.5	16
GN 302.1-22-M4-20-SR	22	M 4	20	8	10.5	18.5	2	22	3.5	16
GN 302.1-22-M5-20-SW	22	M 5	20	8	10.5	18.5	2	22	3.5	17
GN 302.1-22-M5-20-OS	22	M 5	20	8	10.5	18.5	2	22	3.5	17
GN 302.1-22-M5-20-RS	22	M 5	20	8	10.5	18.5	2	22	3.5	17
GN 302.1-22-M5-20-SR	22	M 5	20	8	10.5	18.5	2	22	3.5	17
GN 302.1-22-M4-25-SW	22	M 4	25	8	10.5	18.5	2	22	3.5	16
GN 302.1-22-M4-25-OS	22	M 4	25	8	10.5	18.5	2	22	3.5	16
GN 302.1-22-M4-25-RS	22	M 4	25	8	10.5	18.5	2	22	3.5	16
GN 302.1-22-M4-25-SR	22	M 4	25	8	10.5	18.5	2	22	3.5	16
GN 302.1-22-M5-25-SW	22	M 5	25	8	10.5	18.5	2	22	3.5	17
GN 302.1-22-M5-25-OS	22	M 5	25	8	10.5	18.5	2	22	3.5	17
GN 302.1-22-M5-25-RS	22	M 5	25	8	10.5	18.5	2	22	3.5	17
GN 302.1-22-M5-25-SR	22	M 5	25	8	10.5	18.5	2	22	3.5	17

Flat adjustable hand levers GN 302.1 - Clamping Levers | Elessa+Ganter

GN 302.1-78-M12-40-SW	78	M 12	40	16	21	36	8	34	4	159
GN 302.1-78-M12-40-OS	78	M 12	40	16	21	36	8	34	4	159
GN 302.1-78-M12-40-RS	78	M 12	40	16	21	36	8	34	4	159
GN 302.1-78-M12-40-SR	78	M 12	40	16	21	36	8	34	4	159
GN 302.1-78-M12-50-SW	78	M 12	50	16	21	36	8	34	4	167
GN 302.1-78-M12-50-OS	78	M 12	50	16	21	36	8	34	4	167
GN 302.1-78-M12-50-RS	78	M 12	50	16	21	36	8	34	4	167
GN 302.1-78-M12-50-SR	78	M 12	50	16	21	36	8	34	4	167
GN 302.1-78-M12-63-SW	78	M 12	63	16	21	36	8	34	4	175
GN 302.1-78-M12-63-OS	78	M 12	63	16	21	36	8	34	4	175
GN 302.1-78-M12-63-RS	78	M 12	63	16	21	36	8	34	4	175
GN 302.1-78-M12-63-SR	78	M 12	63	16	21	36	8	34	4	175
GN 302.1-78-M12-80-SW	78	M 12	80	16	21	36	8	34	4	187
GN 302.1-78-M12-80-OS	78	M 12	80	16	21	36	8	34	4	187
GN 302.1-78-M12-80-RS	78	M 12	80	16	21	36	8	34	4	187
GN 302.1-78-M12-80-SR	78	M 12	80	16	21	36	8	34	4	187