



# GN 126

## Adjustable flat tension levers

Zinc die casting, Bushing / Threaded stud steel



---

### Specification

Handle  
Zinc die casting

Plastic coated  
black, RAL 9005, textured finish **SW**  
silver, RAL 9006, textured finish **SR**

Hub cover  
Plastic

- black for SW
- light gray for SR

Countersunk screw  
Stainless Steel

- chemically blackened for SW
- blank for SR

Threaded bushing / bore bushing  
Steel, blackened

---

### Information

Adjustable flat tension lever GN 126 is characterized by their low height and the timelessly elegant design.

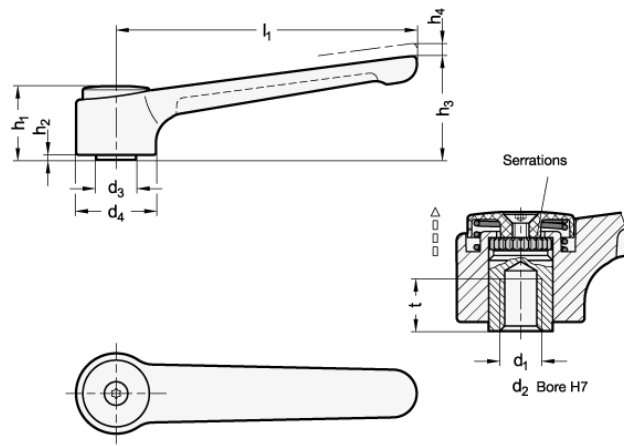
They are ideal whenever swiveling in a confined space is required or the lever is to be clamped in a particular position. The threaded insert / bored bushing is moveably attached to the handle with serrations.

Pulling the lever disengages the serrations, allowing it to be swiveled to the ideal clamping position. On "releasing" the handle, the serrations reengage automatically.

---

### Technical information

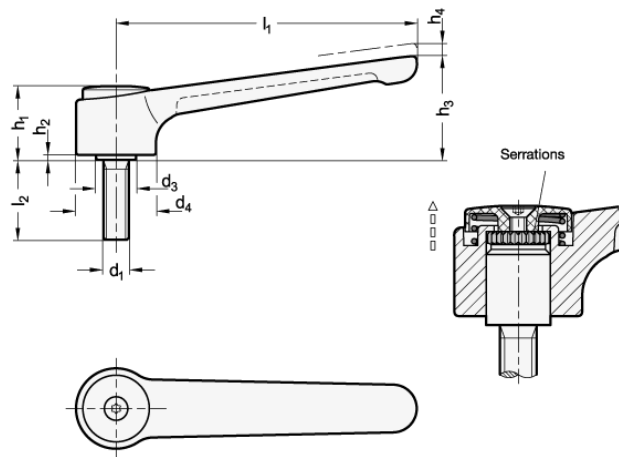
- [ISO-Fundamental tolerances](#)
- [Stainless Steel characteristics](#)



- Black (RAL 9005) SW
- Silver (RAL 9006) SR

## GN 126

Description	$l_1$	$d_1$	$d_2$ H7	$d_3$	$d_4$	$h_1$	$h_2$	$h_3$	$h_4$	t min.	Weight
<b>GN 126-120-M8-SW</b>	120	M 8	-	16	32	29.5	2	41.5	2.5	14	31
<b>GN 126-120-M8-SR</b>	120	M 8	-	16	32	29.5	2	41.5	2.5	14	31
<b>GN 126-120-M10-SW</b>	120	M 10	-	16	32	29.5	2	41.5	2.5	14	28
<b>GN 126-120-M10-SR</b>	120	M 10	-	16	32	29.5	2	41.5	2.5	14	28
<b>GN 126-120-M12-SW</b>	120	M 12	-	16	32	29.5	2	41.5	2.5	14	30
<b>GN 126-120-M12-SR</b>	120	M 12	-	16	32	29.5	2	41.5	2.5	14	30
<b>GN 126-145-M12-SW</b>	145	M 12	-	23	40	42	4	56	4	22	17
<b>GN 126-145-M12-SR</b>	145	M 12	-	23	40	42	4	56	4	22	17
<b>GN 126-145-M16-SW</b>	145	M 16	-	23	40	42	4	56	4	22	20
<b>GN 126-145-M16-SR</b>	145	M 16	-	23	40	42	4	56	4	22	20
<b>GN 126-120-B8-SW</b>	120	-	B 8	16	32	29.5	2	41.5	2.5	14	32
<b>GN 126-120-B8-SR</b>	120	-	B 8	16	32	29.5	2	41.5	2.5	14	32
<b>GN 126-120-B10-SW</b>	120	-	B 10	16	32	29.5	2	41.5	2.5	14	28
<b>GN 126-120-B10-SR</b>	120	-	B 10	16	32	29.5	2	41.5	2.5	14	28
<b>GN 126-145-B12-SW</b>	145	-	B 12	23	40	42	4	56	4	22	90
<b>GN 126-145-B12-SR</b>	145	-	B 12	23	40	42	4	56	4	22	90
<b>GN 126-145-B16-SW</b>	145	-	B 16	23	40	42	4	56	4	22	92
<b>GN 126-145-B16-SR</b>	145	-	B 16	23	40	42	4	56	4	22	92



- Black (RAL 9005) SW
- Silver (RAL 9006) SR

## GN 126

Description	$l_1$	$d_1$	$l_2$	$d_3$	$d_4$	$h_1$	$h_2$	$h_3$	$h_4$	Weight
GN 126-120-M10-20-SR	120	M 10	20	16	32	29.5	2	41.5	2.5	47
GN 126-120-M10-20-SW	120	M 10	20	16	32	29.5	2	41.5	2.5	47
GN 126-120-M10-25-SR	120	M 10	25	16	32	29.5	2	41.5	2.5	49
GN 126-120-M10-25-SW	120	M 10	25	16	32	29.5	2	41.5	2.5	49
GN 126-120-M10-32-SR	120	M 10	32	16	32	29.5	2	41.5	2.5	50
GN 126-120-M10-32-SW	120	M 10	32	16	32	29.5	2	41.5	2.5	50
GN 126-120-M10-40-SR	120	M 10	40	16	32	29.5	2	41.5	2.5	56
GN 126-120-M10-40-SW	120	M 10	40	16	32	29.5	2	41.5	2.5	56
GN 126-120-M10-50-SR	120	M 10	50	16	32	29.5	2	41.5	2.5	61
GN 126-120-M10-50-SW	120	M 10	50	16	32	29.5	2	41.5	2.5	61
GN 126-120-M10-63-SR	120	M 10	63	16	32	29.5	2	41.5	2.5	67
GN 126-120-M10-63-SW	120	M 10	63	16	32	29.5	2	41.5	2.5	67
GN 126-120-M10-80-SR	120	M 10	80	16	32	29.5	2	41.5	2.5	76
GN 126-120-M10-80-SW	120	M 10	80	16	32	29.5	2	41.5	2.5	76
GN 126-120-M12-20-SR	120	M 12	20	16	32	29.5	2	41.5	2.5	80
GN 126-120-M12-20-SW	120	M 12	20	16	32	29.5	2	41.5	2.5	80
GN 126-120-M12-25-SR	120	M 12	25	16	32	29.5	2	41.5	2.5	55
GN 126-120-M12-25-SW	120	M 12	25	16	32	29.5	2	41.5	2.5	55
GN 126-120-M12-32-SR	120	M 12	32	16	32	29.5	2	41.5	2.5	60
GN 126-120-M12-32-SW	120	M 12	32	16	32	29.5	2	41.5	2.5	60
GN 126-120-M12-40-SR	120	M 12	40	16	32	29.5	2	41.5	2.5	66
GN 126-120-M12-40-SW	120	M 12	40	16	32	29.5	2	41.5	2.5	66
GN 126-120-M12-50-SR	120	M 12	50	16	32	29.5	2	41.5	2.5	73
GN 126-120-M12-50-SW	120	M 12	50	16	32	29.5	2	41.5	2.5	73
GN 126-120-M12-63-SR	120	M 12	63	16	32	29.5	2	41.5	2.5	81
GN 126-120-M12-63-SW	120	M 12	63	16	32	29.5	2	41.5	2.5	81
GN 126-120-M12-80-SR	120	M 12	80	16	32	29.5	2	41.5	2.5	93
GN 126-120-M12-80-SW	120	M 12	80	16	32	29.5	2	41.5	2.5	93
GN 126-145-M12-32-SR	145	M 12	32	23	40	42	4	56	4	137
GN 126-145-M12-32-SW	145	M 12	32	23	40	42	4	56	4	137
GN 126-145-M12-40-SR	145	M 12	40	23	40	42	4	56	4	143
GN 126-145-M12-40-SW	145	M 12	40	23	40	42	4	56	4	143
GN 126-145-M12-50-SR	145	M 12	50	23	40	42	4	56	4	150
GN 126-145-M12-50-SW	145	M 12	50	23	40	42	4	56	4	150
GN 126-145-M12-63-SR	145	M 12	63	23	40	42	4	56	4	158
GN 126-145-M12-63-SW	145	M 12	63	23	40	42	4	56	4	158
GN 126-145-M12-80-SR	145	M 12	80	23	40	42	4	56	4	170
GN 126-145-M12-80-SW	145	M 12	80	23	40	42	4	56	4	170
GN 126-145-M16-32-SR	145	M 16	32	23	40	42	4	56	4	152
GN 126-145-M16-32-SW	145	M 16	32	23	40	42	4	56	4	152
GN 126-145-M16-40-SR	145	M 16	40	23	40	42	4	56	4	163
GN 126-145-M16-40-SW	145	M 16	40	23	40	42	4	56	4	163
GN 126-145-M16-50-SR	145	M 16	50	23	40	42	4	56	4	175
GN 126-145-M16-50-SW	145	M 16	50	23	40	42	4	56	4	175
GN 126-145-M16-63-SR	145	M 16	63	23	40	42	4	56	4	194
GN 126-145-M16-63-SW	145	M 16	63	23	40	42	4	56	4	194
GN 126-145-M16-80-SR	145	M 16	80	23	40	42	4	56	4	216
GN 126-145-M16-80-SW	145	M 16	80	23	40	42	4	56	4	216