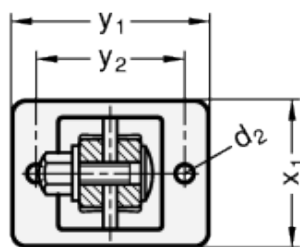
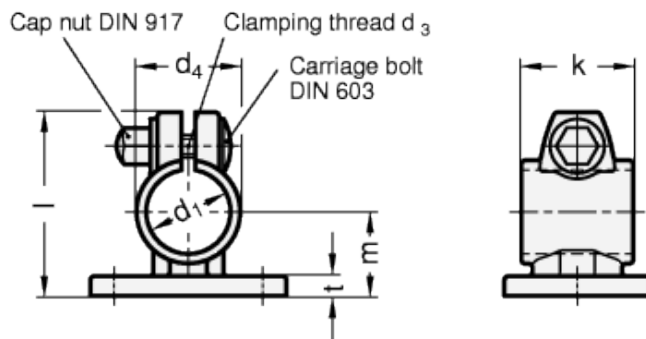


# GN 146.6

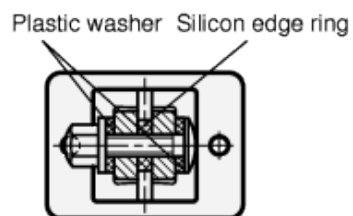
Flanged connector clamps



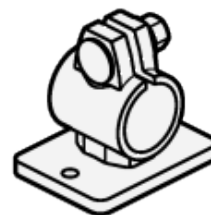
INOX  
Stainless Steel



Type A  
without sealing



Type B  
with sealing



technical informations

## Material

Stainless Steel AISI CF-8, matt shot-blated.

## Clamping bores

Mechanically machined.

Carriage bolt DIN 603

Stainless Steel A2.

### Cap nuts DIN 917

Stainless Steel A2.

### Sealings

- Washers Plastic (Polyacetal POM)
- Edge ring, Silicon, 40 ... 60 Shore A

### Type

- Type A: without sealing
- Type B: with sealing

### Features and applications

The clamping bores of the Stainless Steel-Flanged connector clamps GN 146.6 are mechanically machined and designed for construction tubings GN 990 or DIN 2391, DIN 2395 and DIN 2462 respectively. The shape of the clamping screws / nuts prevents the formation of wetness due to dammed-up water. The designs with sealing (Type B) also seals bore holes and threads.

Standard Elements	Main dimensions												Weight
Description	d <sub>1</sub>	k	d <sub>2</sub>	d <sub>3</sub>	d <sub>4</sub>	l	m	t	x <sub>1</sub>	x <sub>2</sub>	y <sub>1</sub>	y <sub>2</sub>	g
GN 146.6-B30-40-A	B 30	40	6.5	M 8	37	65	30	7	52	35	71	53	260
GN 146.6-B30-40-B	B 30	40	6.5	M 8	37	65	30	7	52	35	71	53	265



STANDARD MACHINE ELEMENTS WORLDWIDE