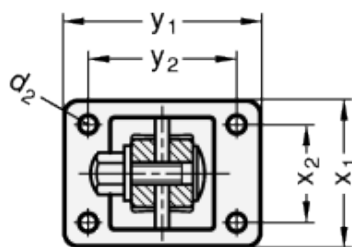
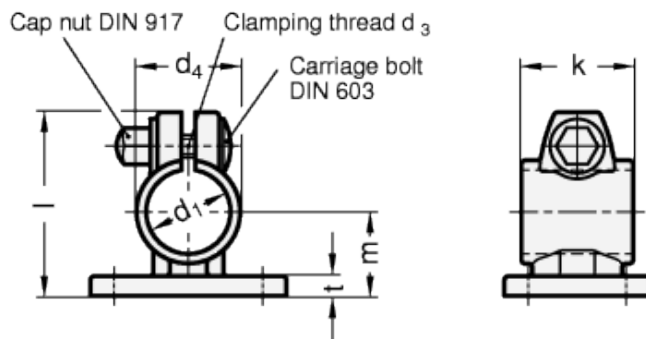


GN 146.5

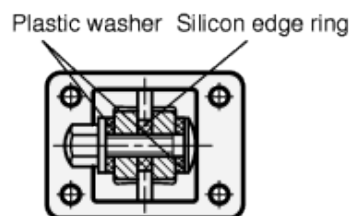
Flanged connector clamps



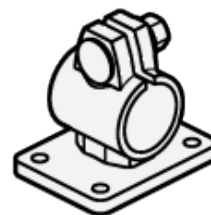
INOX
Stainless Steel



Type A
without sealing



Type B
with sealing



technical informations

Material

Stainless Steel AISI CF-8, matt shot-blated.

Clamping bores

Mechanically machined.

Carriage bolt DIN 603

Stainless Steel A2.

Cap nuts DIN 917

Stainless Steel A2.

Sealings

- Washers Plastic (Polyacetal POM)
- Edge ring, Silicon, 40 ... 60 Shore A

Type

- Type A: without sealing
- Type B: with sealing

Features and applications

The clamping bores of the Stainless Steel-Flanged connector clamps GN 146.5 are mechanically machined and designed for construction tubings GN 990 or DIN 2391, DIN 2395 and DIN 2462 respectively. The shape of the clamping screws / nuts prevents the formation of wetness due to dammed-up water. The designs with sealing (Type B) also seals bore holes and threads.

Standard Elements	Main dimensions												Weight
Description	d ₁	k	d ₂	d ₃	d ₄	l	m	t	x ₁	x ₂	y ₁	y ₂	g
GN 146.5-B30-40-A	B 30	40	6.5	M 8	37	65	30	7	52	35	71	53	302
GN 146.5-B30-40-B	B 30	40	6.5	M 8	37	65	30	7	52	35	71	53	305



STANDARD MACHINE ELEMENTS WORLDWIDE