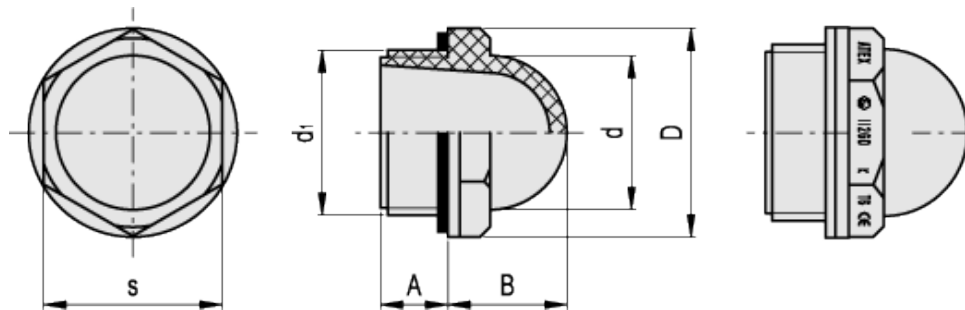


HCFE-EX

Oil circulation sights



ELESA Original design



technical informations

Material

Transparent polyamide based (PA-T) technopolymer. Resistant to solvents, oils with additives, greases, acids and alkali. Avoid contact with alcohol or detergents containing alcohol.

Flat packing ring

NBR synthetic rubber.

ATEX directive compliance

The level indicators of the HCFE-EX series comply with Health and Safety Requirements intended in 94/9/EC ATEX European Directive (explosive atmospheres) for equipments in Group II, category 2GD.

Level indicators have "kX" protection degree and can therefore be mounted in equipments protected by means of "immersion in liquid", without lowering protection degree.

II 2 G D k T6, marked on the HCFE-EX level indicators, represents the identification according to ATEX directive.

II: group of substances for which the product is suitable

2: identification of the category

G: identification of the type of explosive atmosphere (Gases or vapours)

D: identification of the type of explosive atmosphere (Dust)

k: protection degree by means of immersion in liquid

IIB: explosive gases group (only for HCFE.20)

T6: temperature class

Ambient and/or fluid temperature: $-30 \div +80^{\circ}\text{C}$

The declaration of conformity to European Directives of this product is available and it is part of the product itself.

Accessories on request

Brass nut type **GH**, for fitting to reservoirs with wall thickness smaller than 5 mm.

Technical data

The tightening torque indicated in the table guarantees an optimal tightness, keeping the packing ring in the correct position.

Note

For use with fluids containing special additives, please contact ELESA Sales Department.

Standard Elements		Main dimensions						Tightening torque	Weight
Code	Description	d ₁	A	B	D	d	s	[Nm]	g
10851-EX	HCFE.12-3/8-EX	G 3/8	7.5	13	22.5	15	19	3÷5	4
10901-EX	HCFE.15-1/2-EX	G 1/2	10.5	16	26	19	22	4÷6	5
11001-EX	HCFE.20-3/4-EX	G 3/4	10.5	19.5	31.5	25	27	6÷8	8



ELESA and GANTER models all rights reserved in accordance with the law. Always mention the source when reproducing our drawings.

STANDARD MACHINE ELEMENTS WORLDWIDE