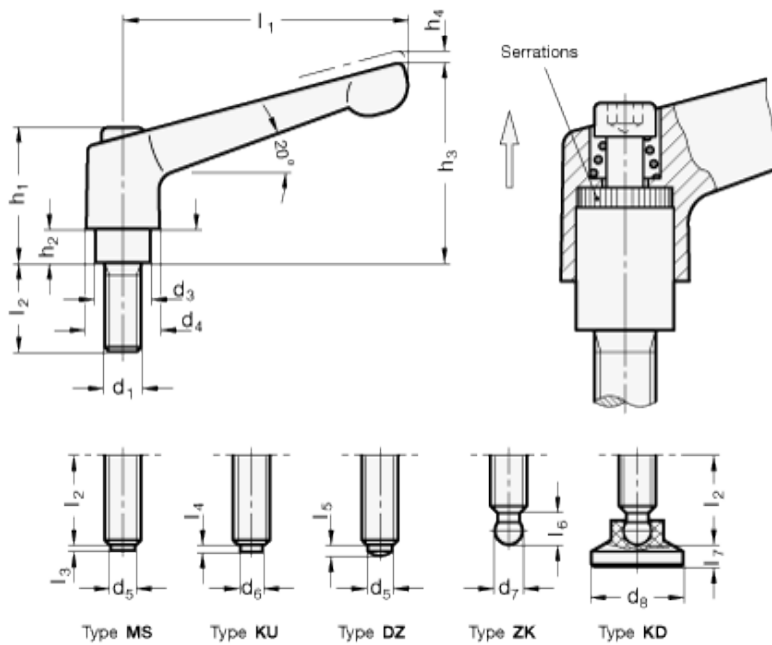


# GN 306

Adjustable Hand levers



## technical informations

### Specification

#### Types

- Type MS: Brass tipp
- Type KU: Plastic tipp
- Type DZ: Hardened oval tipp
- Type ZK: Spherical end
- Type KD: Spherical end with swivel thrust pad

Zinc die casting

Plastic coated

- black, RAL 9005, textured finish SW
- orange, RAL 2004, textured finish OS
- red, RAL 3000, textured finish RS
- silver, RAL 9006, textured finish SR

Threaded stud and retaining screw  
Steel, blackened

Thrust Point

- Type MS: Brass
- Type KU: Plastic (POM)
- Type DZ: Steel, hardened (Oval Point)

Thrust pad

- Plastic (Polyacetal POM)
- temperature resistant up to 80 °C
  - black, matt

### *Information*

Adjustable hand levers GN 306 are ideal whenever parts have to be clamped in a confined space or in a particular lever position. The centre insert is connected to the lever via serrations which can easily be disengaged.

Pulling the lever disengages the serrations, allowing it to be swivelled to the ideal clamping position. When the lever is released, the serrations automatically re-engage.

The brass and plastic tipped studs (Types MS / KU) help to avoid damage to the work piece being clamped.

The hardened tipped stud (Type DZ) provides an oval point-shaped pressure point.

The swivel thrust pad (Type KD) can easily be snapped on and taken off.

Pad is supplied unmounted.

### *On request*

- with threaded Stud in Stainless Steel
- Flat handle (GN 302)

Standard Elements

Main dimensions

Weight

Description	l <sub>1</sub>	d <sub>1</sub>	l <sub>2</sub>	d <sub>3</sub>	d <sub>4</sub>	d <sub>5</sub>	d <sub>6</sub>	d <sub>7</sub>	d <sub>8</sub>	h <sub>1</sub>	h <sub>2</sub>	h <sub>3</sub>	h <sub>4</sub>	l <sub>3</sub>	l <sub>4</sub>	l <sub>5</sub>	l <sub>6</sub>	l <sub>7</sub>	g
GN 306-30-M6-16-MS-*	30	M6	16	10	13	4	-	-	-	24.5	4	31	3.5	1	-	-	-	-	-
GN 306-30-M6-20-MS-*	30	M6	20	10	13	4	-	-	-	24.5	4	31	3.5	1	-	-	-	-	-
GN 306-30-M6-25-MS-*	30	M6	25	10	13	4	-	-	-	24.5	4	31	3.5	1	-	-	-	-	-
GN 306-30-M6-32-MS-*	30	M6	32	10	13	4	-	-	-	24.5	4	31	3.5	1	-	-	-	-	-
GN 306-30-M6-40-MS-*	30	M6	40	10	13	4	-	-	-	24.5	4	31	3.5	1	-	-	-	-	-
GN 306-30-M6-50-MS-*	30	M6	50	10	13	4	-	-	-	24.5	4	31	3.5	1	-	-	-	-	-
GN 306-45-M6-16-MS-*	45	M6	16	10	13	4	-	-	-	24.5	4	31	3.5	1	-	-	-	-	-
GN 306-45-M6-20-MS-*	45	M6	20	10	13	4	-	-	-	24.5	4	35	3.5	1	-	-	-	-	-
GN 306-45-M6-25-MS-*	45	M6	25	10	13	4	-	-	-	24.5	4	35	3.5	1	-	-	-	-	-
GN 306-45-M6-32-MS-*	45	M6	32	10	13	4	-	-	-	24.5	4	35	3.5	1	-	-	-	-	-
GN 306-45-M6-40-MS-*	45	M6	40	10	13	4	-	-	-	24.5	4	35	3.5	1	-	-	-	-	-
GN 306-45-M6-50-MS-*	45	M6	50	10	13	4	-	-	-	24.5	4	35	3.5	1	-	-	-	-	-
GN 306-63-M8-20-MS-*	63	M8	20	13.5	17.5	6	-	-	-	31	6.5	45	4	1.5	-	-	-	-	-
GN 306-63-M8-25-MS-*	63	M8	25	13.5	17.5	6	-	-	-	31	6.5	45	4	1.5	-	-	-	-	-
GN 306-63-M8-32-MS-*	63	M8	32	13.5	17.5	6	-	-	-	31	6.5	45	4	1.5	-	-	-	-	-
GN 306-63-M8-40-MS-*	63	M8	40	13.5	17.5	6	-	-	-	31	6.5	45	4	1.5	-	-	-	-	-
GN 306-63-M8-50-MS-*	63	M8	50	13.5	17.5	6	-	-	-	31	6.5	45	4	1.5	-	-	-	-	-
GN 306-63-M8-63-MS-*	63	M8	63	13.5	17.5	6	-	-	-	31	6.5	45	4	1.5	-	-	-	-	-
GN 306-63-M10-20-MS-*	63	M10	20	13.5	17.5	8	-	-	-	31	6.5	45	4	2	-	-	-	-	-
GN 306-63-M10-25-MS-*	63	M10	25	13.5	17.5	8	-	-	-	31	6.5	45	4	2	-	-	-	-	-
GN 306-63-M10-32-MS-*	63	M10	32	13.5	17.5	8	-	-	-	31	6.5	45	4	2	-	-	-	-	-
GN 306-63-M10-40-MS-*	63	M10	40	13.5	17.5	8	-	-	-	31	6.5	45	4	2	-	-	-	-	-
GN 306-63-M10-50-MS-*	63	M10	50	13.5	17.5	8	-	-	-	31	6.5	45	4	2	-	-	-	-	-
GN 306-63-M10-63-MS-*	63	M10	63	13.5	17.5	8	-	-	-	31	6.5	45	4	2	-	-	-	-	-
GN 306-30-M6-16-KU-*	30	M6	16	10	13	-	3.5	-	-	24.5	4	31	3.5	-	1.3	-	-	-	-
GN 306-30-M6-20-KU-*	30	M6	20	10	13	-	3.5	-	-	24.5	4	31	3.5	-	1.3	-	-	-	-
GN 306-30-M6-25-KU-*	30	M6	25	10	13	-	3.5	-	-	24.5	4	31	3.5	-	1.3	-	-	-	-
GN 306-30-M6-32-KU-*	30	M6	32	10	13	-	3.5	-	-	24.5	4	31	3.5	-	1.3	-	-	-	-
GN 306-30-M6-40-KU-*	30	M6	40	10	13	-	3.5	-	-	24.5	4	31	3.5	-	1.3	-	-	-	-
GN 306-30-M6-50-KU-*	30	M6	50	10	13	-	3.5	-	-	24.5	4	31	3.5	-	1.3	-	-	-	-
GN 306-45-M6-16-KU-*	45	M6	16	10	13	-	3.5	-	-	24.5	4	31	3.5	-	1.3	-	-	-	-
GN 306-45-M6-20-KU-*	45	M6	20	10	13	-	3.5	-	-	24.5	4	35	3.5	-	1.3	-	-	-	-
GN 306-45-M6-25-KU-*	45	M6	25	10	13	-	3.5	-	-	24.5	4	35	3.5	-	1.3	-	-	-	-
GN 306-45-M6-32-KU-*	45	M6	32	10	13	-	3.5	-	-	24.5	4	35	3.5	-	1.3	-	-	-	-
GN 306-45-M6-40-KU-*	45	M6	40	10	13	-	3.5	-	-	24.5	4	35	3.5	-	1.3	-	-	-	-
GN 306-45-M6-50-KU-*	45	M6	50	10	13	-	3.5	-	-	24.5	4	35	3.5	-	1.3	-	-	-	-
GN 306-63-M8-20-KU-*	63	M8	20	13.5	17.5	-	5	-	-	31	6.5	45	4	-	1.6	-	-	-	-
GN 306-63-M8-25-KU-*	63	M8	25	13.5	17.5	-	5	-	-	31	6.5	45	4	-	1.6	-	-	-	-
GN 306-63-M8-32-KU-*	63	M8	32	13.5	17.5	-	5	-	-	31	6.5	45	4	-	1.6	-	-	-	-
GN 306-63-M8-40-KU-*	63	M8	40	13.5	17.5	-	5	-	-	31	6.5	45	4	-	1.6	-	-	-	-
GN 306-63-M8-50-KU-*	63	M8	50	13.5	17.5	-	5	-	-	31	6.5	45	4	-	1.6	-	-	-	-
GN 306-63-M8-63-KU-*	63	M8	63	13.5	17.5	-	5	-	-	31	6.5	45	4	-	1.6	-	-	-	-
GN 306-63-M10-20-KU-*	63	M10	20	13.5	17.5	-	6.5	-	-	31	6.5	45	4	-	1.9	-	-	-	-

GN 306-63-M10-25-KU-*	63	M10	25	13.5	17.5	-	6.5	-	-	31	6.5	45	4	-	1.9	-	-	-	-
GN 306-63-M10-32-KU-*	63	M10	32	13.5	17.5	-	6.5	-	-	31	6.5	45	4	-	1.9	-	-	-	-
GN 306-63-M10-40-KU-*	63	M10	40	13.5	17.5	-	6.5	-	-	31	6.5	45	4	-	1.9	-	-	-	-
GN 306-63-M10-50-KU-*	63	M10	50	13.5	17.5	-	6.5	-	-	31	6.5	45	4	-	1.9	-	-	-	-
GN 306-63-M10-63-KU-*	63	M10	63	13.5	17.5	-	6.5	-	-	31	6.5	45	4	-	1.9	-	-	-	-
GN 306-30-M6-16-DZ-*	30	M6	16	10	13	4	-	-	-	24.5	4	31	35	-	-	1.8	-	-	-
GN 306-30-M6-20-DZ-*	30	M6	20	10	13	4	-	-	-	24.5	4	31	3.5	-	-	1.8	-	-	-
GN 306-30-M6-25-DZ-*	30	M6	25	10	13	4	-	-	-	24.5	4	31	3.5	-	-	1.8	-	-	-
GN 306-30-M6-32-DZ-*	30	M6	32	10	13	4	-	-	-	24.5	4	31	3.5	-	-	1.8	-	-	-
GN 306-30-M6-40-DZ-*	30	M6	40	10	13	4	-	-	-	24.5	4	31	3.5	-	-	1.8	-	-	-
GN 306-30-M6-50-DZ-*	30	M6	50	10	13	4	-	-	-	24.5	4	31	3.5	-	-	1.8	-	-	-
GN 306-45-M6-16-DZ-*	45	M6	16	10	13	4	-	-	-	24.5	4	31	3.5	-	-	1.8	-	-	-
GN 306-45-M6-20-DZ-*	45	M6	20	10	13	4	-	-	-	24.5	4	35	3.5	-	-	1.8	-	-	-
GN 306-45-M6-25-DZ-*	45	M6	25	10	13	4	-	-	-	24.5	4	35	3.5	-	-	1.8	-	-	-
GN 306-45-M6-32-DZ-*	45	M6	32	10	13	4	-	-	-	24.5	4	35	3.5	-	-	1.8	-	-	-
GN 306-45-M6-40-DZ-*	45	M6	40	10	13	4	-	-	-	24.5	4	35	3.5	-	-	1.8	-	-	-
GN 306-45-M6-50-DZ-*	45	M6	50	10	13	4	-	-	-	24.5	4	35	3.5	-	-	1.8	-	-	-
GN 306-63-M8-20-DZ-*	63	M8	20	13.5	17.5	6	-	-	-	31	6.5	4.5	4	-	-	2.5	-	-	-
GN 306-63-M8-25-DZ-*	63	M8	25	13.5	17.5	6	-	-	-	31	6.5	45	4	-	-	2.5	-	-	-
GN 306-63-M8-32-DZ-*	63	M8	32	13.5	17.5	6	-	-	-	31	6.5	45	4	-	-	2.5	-	-	-
GN 306-63-M8-40-DZ-*	63	M8	40	13.5	17.5	6	-	-	-	31	6.5	45	4	-	-	2.5	-	-	-
GN 306-63-M8-50-DZ-*	63	M8	50	13.5	17.5	6	-	-	-	31	6.5	45	4	-	-	2.5	-	-	-
GN 306-63-M8-63-DZ-*	63	M8	63	13.5	17.5	8	-	-	-	31	6.5	45	4	-	-	2.5	-	-	-
GN 306-63-M10-20-DZ-*	63	M10	20	13.5	17.5	8	-	-	-	31	6.5	45	4	-	-	3.5	-	-	-
GN 306-63-M10-25-DZ-*	63	M10	25	13.5	17.5	8	-	-	-	31	6.5	45	4	-	-	3.5	-	-	-
GN 306-63-M10-32-DZ-*	63	M10	32	13.5	17.5	8	-	-	-	31	6.5	45	4	-	-	3.5	-	-	-
GN 306-63-M10-40-DZ-*	63	M10	40	13.5	17.5	8	-	-	-	31	6.5	45	4	-	-	3.5	-	-	-
GN 306-63-M10-50-DZ-*	63	M10	50	13.5	17.5	8	-	-	-	31	6.5	45	4	-	-	3.5	-	-	-
GN 306-63-M10-63-DZ-*	63	M10	63	13.5	17.5	8	-	-	-	31	6.5	4.5	4	-	-	3.5	-	-	-
GN 306-30-M6-16-ZK-*	30	M6	16	10	13	-	-	4.5 ±0.03	-	24.5	4	31	3.5	-	-	-	5.1	-	-
GN 306-30-M6-20-ZK-*	30	M6	20	10	13	-	-	4.5 ±0.03	-	24.5	4	31	3.5	-	-	-	5.1	-	-
GN 306-30-M6-25-ZK-*	30	M6	25	10	13	-	-	4.5 ±0.03	-	24.5	4	31	3.5	-	-	-	5.1	-	-
GN 306-30-M6-32-ZK-*	30	M6	32	10	13	-	-	4.5 ±0.03	-	24.5	4	31	3.5	-	-	-	5.1	-	-
GN 306-30-M6-40-ZK-*	30	M6	40	10	13	-	-	4.5 ±0.03	-	24.5	4	31	3.5	-	-	-	5.1	-	-
GN 306-30-M6-50-ZK-*	30	M6	50	10	13	-	-	4.5 ±0.03	-	24.5	4	31	3.5	-	-	-	5.1	-	-
GN 306-45-M6-16-ZK-*	45	M6	16	10	13	-	-	4.5 ±0.03	-	24.5	4	31	3.5	-	-	-	5.1	-	-
GN 306-45-M6-20-ZK-*	45	M6	20	10	13	-	-	4.5 ±0.03	-	24.5	4	35	3.5	-	-	-	5.1	-	-
GN 306-45-M6-25-ZK-*	45	M6	25	10	13	-	-	4.5 ±0.03	-	24.5	4	35	3.5	-	-	-	5.1	-	-
GN 306-45-M6-32-ZK-*	45	M6	32	10	13	-	-	4.5 ±0.03	-	24.5	4	35	3.5	-	-	-	5.1	-	-
GN 306-45-M6-40-ZK-*	45	M6	40	10	13	-	-	4.5 ±0.03	-	24.5	4	35	3.5	-	-	-	5.1	-	-
GN 306-45-M6-50-ZK-*	45	M6	50	10	13	-	-	4.5 ±0.03	-	24.5	4	35	3.5	-	-	-	5.1	-	-
GN 306-63-M8-20-ZK-*	63	M8	20	13.5	17.5	-	-	6.1 ±0.05	-	31	6.5	45	4	-	-	-	6.2	-	-
GN 306-63-M8-25-ZK-*	63	M8	25	13.5	17.5	-	-	6.1 ±0.05	-	31	6.5	45	4	-	-	-	6.2	-	-
GN 306-63-M8-32-ZK-*	63	M8	32	13.5	17.5	-	-	6.1 ±0.05	-	31	6.5	45	4	-	-	-	6.2	-	-
GN 306-63-M8-40-ZK-*	63	M8	40	13.5	17.5	-	-	6.1 ±0.05	-	31	6.5	45	4	-	-	-	6.2	-	-

GN 306-63-M8-50-ZK-*	63	M8	50	13.5	17.5	-	-	6.1 ±0.05	-	31	6.5	45	4	-	-	-	6.2	-	-
GN 306-63-M8-63-ZK-*	63	M8	63	13.5	17.5	-	-	6.1 ±0.05	-	31	6.5	45	4	-	-	-	6.2	-	-
GN 306-63-M10-20-ZK-*	63	M10	20	13.5	17.5	-	-	7.8 ±0.05	-	31	6.5	45	4	-	-	-	7.3	-	-
GN 306-63-M10-25-ZK-*	63	M10	25	13.5	17.5	-	-	7.8 ±0.05	-	31	6.5	45	4	-	-	-	7.3	-	-
GN 306-63-M10-32-ZK-*	63	M10	32	13.5	17.5	-	-	7.8 ±0.05	-	31	6.5	45	4	-	-	-	7.3	-	-
GN 306-63-M10-40-ZK-*	63	M10	40	13.5	17.5	-	-	7.8 ±0.05	-	31	6.5	45	4	-	-	-	7.3	-	-
GN 306-63-M10-50-ZK-*	63	M10	50	13.5	17.5	-	-	7.8 ±0.05	-	31	6.5	45	4	-	-	-	7.3	-	-
GN 306-63-M10-63-ZK-*	63	M10	63	13.5	17.5	-	-	7.8 ±0.05	-	31	6.5	45	4	-	-	-	7.3	-	-
GN 306-30-M6-16-KD-*	30	M6	10	13	13	-	-	-	15	24.5	4	31	3.5	-	-	-	-	3.6	-
GN 306-30-M6-20-KD-*	30	M6	20	10	13	-	-	-	15	24.5	4	31	3.5	-	-	-	-	3.6	-
GN 306-30-M6-25-KD-*	30	M6	25	10	13	-	-	-	15	24.5	4	31	3.5	-	-	-	-	3.6	-
GN 306-30-M6-32-KD-*	30	M6	32	10	13	-	-	-	15	24.5	4	31	3.5	-	-	-	-	3.6	-
GN 306-30-M6-40-KD-*	30	M6	40	10	13	-	-	-	15	24.5	4	31	3.5	-	-	-	-	3.6	-
GN 306-30-M6-50-KD-*	30	M6	50	10	13	-	-	-	15	24.5	4	31	3.5	-	-	-	-	3.6	-
GN 306-45-M6-16-KD-*	45	M6	16	10	13	-	-	-	15	24.5	4	31	3.5	-	-	-	-	3.6	-
GN 306-45-M6-20-KD-*	45	M6	20	10	13	-	-	-	15	24.5	4	35	3.5	-	-	-	-	3.6	-
GN 306-45-M6-25-KD-*	45	M6	25	10	13	-	-	-	15	24.5	4	35	3.5	-	-	-	-	3.6	-
GN 306-45-M6-32-KD-*	45	M6	32	10	13	-	-	-	15	24.5	4	35	3.5	-	-	-	-	3.6	-
GN 306-45-M6-40-KD-*	46	M6	40	10	13	-	-	-	15	24.5	4	35	3.5	-	-	-	-	3.6	-
GN 306-45-M6-50-KD-*	45	M6	50	10	13	-	-	-	15	24.5	4	35	3.5	-	-	-	-	3.6	-
GN 306-63-M8-20-KD-*	63	M8	20	13.5	17.5	-	-	-	18	31	6.5	45	4	-	-	-	-	4.2	-
GN 306-63-M8-25-KD-*	63	M8	25	13.5	17.5	-	-	-	18	31	6.5	45	4	-	-	-	-	4.2	-
GN 306-63-M8-32-KD-*	63	M8	32	13.5	17.5	-	-	-	18	31	6.5	45	4	-	-	-	-	4.2	-
GN 306-63-M8-40-KD-*	63	M8	40	13.5	17.5	-	-	-	18	31	6.5	45	4	-	-	-	-	4.2	-
GN 306-63-M8-50-KD-*	63	M8	50	13.5	17.5	-	-	-	18	31	6.5	45	4	-	-	-	-	4.2	-
GN 306-63-M8-63-KD-*	63	M8	63	13.5	17.5	-	-	-	18	31	6.5	45	4	-	-	-	-	4.2	-
GN 306-63-M10-20-KD-*	63	M10	20	13.5	17.5	-	-	-	21	31	6.5	45	4	-	-	-	-	4.3	-
GN 306-63-M10-25-KD-*	63	M10	25	13.5	17.5	-	-	-	21	31	6.5	45	4	-	-	-	-	4.3	-
GN 306-63-M10-32-KD-*	63	M10	32	13.5	17.5	-	-	-	21	31	6.5	45	4	-	-	-	-	4.3	-
GN 306-63-M10-40-KD-*	63	M10	40	13.5	17.5	-	-	-	21	31	6.5	4.5	4	-	-	-	-	4.3	-
GN 306-63-M10-50-KD-*	63	M10	50	13.5	17.5	-	-	-	21	31	6.5	45	4	-	-	-	-	4.3	-
GN 306-63-M10-63-KD-*	63	M10	63	13.5	17.5	-	-	-	21	31	6.5	45	4	-	-	-	-	4.3	-

\* Complete the description of the standard item needed by adding the index of the colour of the lever body: SW (black), OS (orange), RS (red matte finish), or SR (silver)



STANDARD MACHINE ELEMENTS WORLDWIDE