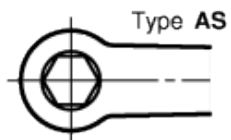
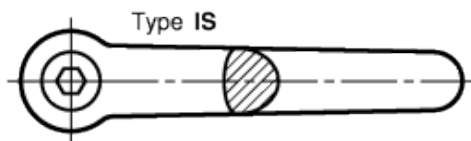
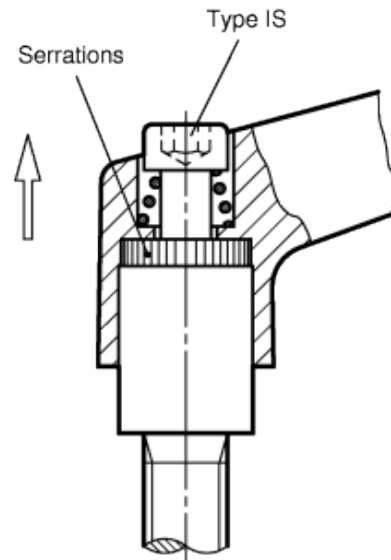
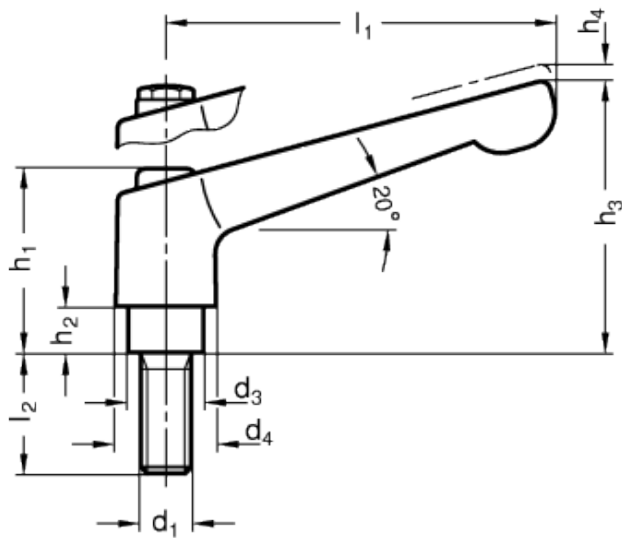


GN 300.6

Adjustable handles



INOX
Stainless Steel



technical informations

Lever body

Stainless steel AISI CF-8 (precision casting), electropolished.

Clamping element

AISI 303 stainless steel with threaded hole and toothed element for coupling to the lever body, AISI 303 stainless steel screw and AISI 301 stainless steel return spring.

Standard versions available

- Type AS: with external hexagon.
- Type IS: with internal hexagon.

Features and applications

Adjustable hand levers GN 300.6 with full Stainless-Steel handle, correspond to applications where "agressive" surrounding conditions are given, or where stainless steel materials are prescribed such as in food processing or chemical industry. Retaining screws with hexagon head (Type AS) comply with the requirement "prevents water from accumulating". Adjustable hand levers have proved to be ideal whenever parts have to be clamped in a confined space or in a particular lever position. The centre insert is connected to the lever via serrations which can easily be disengaged. Pulling the lever, disengages the serrations and allowing it to be swivelled to the ideal clamping position. On releasing the lever the serrations automatically re-engage.

Instruction of use

For clamping, lift the lever to disengage the clamping device tothing and bring it back to start position. By releasing the lever, the return spring automatically engages the tothing.
If the lever cannot make a 360° rotation, the clamping element can be easily screwed by means of the hexagon socket front head screw (after having disengaged the lever).

Standard Elements	Main dimensions							Thread		Weight
	Description	l ₁	d ₃	d ₄	h ₁	h ₂	h ₃	h ₄	d ₁	
GN 300.6-30-M3-6-AS	30	10	13	24.5	4	31	3.5	M3	6	27
GN 300.6-30-M3-6-IS	30	10	13	24.5	4	31	3.5	M3	6	27
GN 300.6-30-M3-8-AS	30	10	13	24.5	4	31	3.5	M3	8	28
GN 300.6-30-M3-8-IS	30	10	13	24.5	4	31	3.5	M3	8	28
GN 300.6-30-M3-10-AS	30	10	13	24.5	4	31	3.5	M3	10	29
GN 300.6-30-M3-10-IS	30	10	13	24.5	4	35	3.5	M3	10	29
GN 300.6-30-M3-12-AS	30	10	13	24.5	4	31	3.5	M3	12	30
GN 300.6-30-M3-12-IS	30	10	13	24.5	4	31	3.5	M3	12	30
GN 300.6-30-M3-16-AS	30	10	13	24.5	4	31	3.5	M3	16	31
GN 300.6-30-M3-16-IS	30	10	13	24.5	4	31	3.5	M3	16	31
GN 300.6-30-M4-12-AS	30	10	13	24.5	4	31	3.5	M4	12	30
GN 300.6-30-M4-12-IS	30	10	13	24.5	4	31	3.5	M4	12	30
GN 300.6-30-M4-16-AS	30	10	13	24.5	4	31	3.5	M4	16	31
GN 300.6-30-M4-16-IS	30	10	13	24.5	4	31	3.5	M4	16	31
GN 300.6-30-M4-20-AS	30	10	13	24.5	4	31	3.5	M4	20	32
GN 300.6-30-M4-20-IS	30	10	13	24.5	4	31	3.5	M4	20	32
GN 300.6-30-M4-25-AS	30	10	13	24.5	4	31	3.5	M4	25	33
GN 300.6-30-M4-25-IS	30	10	13	24.5	4	31	3.5	M4	25	33
GN 300.6-30-M4-32-AS	30	10	13	24.5	4	31	3.5	M4	32	34
GN 300.6-30-M4-32-IS	30	10	13	24.5	4	31	3.5	M4	32	34
GN 300.6-30-M5-12-AS	30	10	13	24.5	4	31	3.5	M5	12	37
GN 300.6-30-M5-12-IS	30	10	13	24.5	4	35	3.5	M5	12	37
GN 300.6-30-M5-16-AS	30	10	13	24.5	4	31	3.5	M5	16	38
GN 300.6-30-M5-16-IS	30	10	13	24.5	4	31	3.5	M5	16	38
GN 300.6-30-M5-20-AS	30	10	13	24.5	4	31	3.5	M5	20	39

GN 300.6-30-M5-20-IS	30	10	13	24.5	4	31	3.5	M5	20	39
GN 300.6-30-M5-25-AS	30	10	13	24.5	4	31	3.5	M5	25	40
GN 300.6-30-M5-25-IS	30	10	13	24.5	4	31	3.5	M5	25	40
GN 300.6-30-M5-32-AS	30	10	13	24.5	4	31	3.5	M5	32	41
GN 300.6-30-M5-32-IS	30	10	13	24.5	4	31	3.5	M5	32	41
GN 300.6-30-M5-40-AS	30	10	13	24.5	4	31	3.5	M5	40	42
GN 300.6-30-M5-40-IS	30	10	13	24.5	4	35	3.5	M5	40	42
GN 300.6-30-M5-50-AS	30	10	13	24.5	4	31	3.5	M5	50	43
GN 300.6-30-M5-50-IS	30	10	13	24.5	4	31	3.5	M5	50	43
GN 300.6-30-M6-12-AS	30	10	13	24.5	4	31	3.5	M6	12	38
GN 300.6-30-M6-12-IS	30	10	13	24.5	4	35	3.5	M6	12	38
GN 300.6-30-M6-16-AS	30	10	13	24.5	4	31	3.5	M6	16	39
GN 300.6-30-M6-16-IS	30	10	13	24.5	4	31	3.5	M6	16	39
GN 300.6-30-M6-20-AS	30	10	13	24.5	4	31	3.5	M6	20	40
GN 300.6-30-M6-20-IS	30	10	13	24.5	4	31	3.5	M6	20	40
GN 300.6-30-M6-25-AS	30	10	13	24.5	4	35	3.5	M6	25	41
GN 300.6-30-M6-25-IS	30	10	13	24.5	4	31	3.5	M6	25	41
GN 300.6-30-M6-32-AS	30	10	13	24.5	4	35	3.5	M6	32	42
GN 300.6-30-M6-32-IS	30	10	13	24.5	4	35	3.5	M6	32	42
GN 300.6-30-M6-40-AS	30	10	13	24.5	4	35	3.5	M6	40	43
GN 300.6-30-M6-40-IS	30	10	13	24.5	4	35	3.5	M6	40	43
GN 300.6-30-M6-50-AS	30	10	13	24.5	4	31	3.5	M6	50	44
GN 300.6-30-M6-50-IS	30	10	13	24.5	4	31	3.5	M6	50	44
GN 300.6-45-M4-12-AS	45	10	13	24.5	4	35	3.5	M4	12	35
GN 300.6-45-M4-12-IS	45	10	13	24.5	4	35	3.5	M4	12	35
GN 300.6-45-M4-16-AS	45	10	13	24.5	4	35	3.5	M4	16	36
GN 300.6-45-M4-16-IS	45	10	13	24.5	4	35	3.5	M4	16	36
GN 300.6-45-M4-20-AS	45	10	13	24.5	4	35	3.5	M4	20	37
GN 300.6-45-M4-20-IS	45	10	13	24.5	4	35	3.5	M4	20	37
GN 300.6-45-M4-25-AS	45	10	13	24.5	4	35	3.5	M4	25	38
GN 300.6-45-M4-25-IS	45	10	13	24.5	4	35	3.5	M4	25	38
GN 300.6-45-M4-32-AS	45	10	13	24.5	4	35	3.5	M4	32	39
GN 300.6-45-M4-32-IS	45	10	13	24.5	4	35	3.5	M4	32	39
GN 300.6-45-M5-12-AS	45	10	13	24.5	4	35	3.5	M5	12	41
GN 300.6-45-M5-12-IS	45	10	13	24.5	4	35	3.5	M5	12	41
GN 300.6-45-M5-16-AS	45	10	13	24.5	4	35	3.5	M5	16	42
GN 300.6-45-M5-16-IS	45	10	13	24.5	4	35	3.5	M5	16	42
GN 300.6-45-M5-20-AS	45	10	13	24.5	4	35	3.5	M5	20	43
GN 300.6-45-M5-20-IS	45	10	13	24.5	4	35	3.5	M5	20	43
GN 300.6-45-M5-25-AS	45	10	13	24.5	4	35	3.5	M5	25	43
GN 300.6-45-M5-25-IS	45	10	13	24.5	4	35	3.5	M5	25	43
GN 300.6-45-M5-32-AS	45	10	13	24.5	4	35	3.5	M5	32	44
GN 300.6-45-M5-32-IS	45	10	13	24.5	4	35	3.5	M5	32	44
GN 300.6-45-M5-40-AS	45	10	13	24.5	4	35	3.5	M5	40	45
GN 300.6-45-M5-40-IS	45	10	13	24.5	4	35	3.5	M5	40	45

GN 300.6-45-M5-50-AS	45	10	13	24.5	4	35	3.5	M5	50	49
GN 300.6-45-M5-50-IS	45	10	13	24.5	4	35	3.5	M5	50	49
GN 300.6-45-M6-12-AS	45	10	13	24.5	4	35	3.5	M6	12	42
GN 300.6-45-M6-12-IS	45	10	13	24.5	4	35	3.5	M6	12	42
GN 300.6-45-M6-16-AS	45	10	13	24.5	4	35	3.5	M6	16	43
GN 300.6-45-M6-16-IS	45	10	13	24.5	4	35	3.5	M6	16	43
GN 300.6-45-M6-20-AS	45	10	13	24.5	4	35	3.5	M6	20	43
GN 300.6-45-M6-20-IS	45	10	13	24.5	4	35	3.5	M6	20	43
GN 300.6-45-M6-25-AS	45	10	13	24.5	4	35	3.5	M6	25	44
GN 300.6-45-M6-25-IS	45	10	13	24.5	4	35	3.5	M6	25	44
GN 300.6-45-M6-32-AS	45	10	13	24.5	4	35	3.5	M6	32	46
GN 300.6-45-M6-32-IS	30	10	13	24.5	4	35	3.5	M6	32	46
GN 300.6-45-M6-40-AS	45	10	13	24.5	4	35	3.5	M6	40	47
GN 300.6-45-M6-40-IS	45	10	13	24.5	4	35	3.5	M6	40	47
GN 300.6-45-M6-50-AS	45	10	13	24.5	4	35	3.5	M6	50	47
GN 300.6-45-M6-50-IS	45	10	13	24.5	4	35	3.5	M6	50	47
GN 300.6-63-M6-16-AS	63	13.5	17.5	31	6.5	45	4	M6	16	97
GN 300.6-63-M6-16-IS	63	13.5	17.5	31	6.5	45	4	M6	16	97
GN 300.6-63-M6-20-AS	63	13.5	117.5	31	6.5	45	4	M6	20	98
GN 300.6-63-M6-20-IS	63	13.5	17.5	31	6.5	45	4	M6	20	98
GN 300.6-63-M6-25-AS	63	13.5	17.5	31	6.5	45	4	M6	25	100
GN 300.6-63-M6-25-IS	63	13.5	17.5	31	6.5	45	4	M6	25	100
GN 300.6-63-M6-32-AS	63	13.5	17.5	31	6.5	45	4	M6	32	102
GN 300.6-63-M6-32-IS	63	13.5	17.5	31	6.5	45	4	M6	32	102
GN 300.6-63-M6-40-AS	63	13.5	17.5	31	6.5	45	4	M6	40	105
GN 300.6-63-M6-40-IS	63	13.5	17.5	31	6.5	45	4	M6	40	105
GN 300.6-63-M6-50-AS	63	13.5	17.5	31	6.5	45	4	M6	50	100
GN 300.6-63-M6-50-IS	63	13.5	17.5	31	6.5	45	4	M6	50	100
GN 300.6-63-M6-63-AS	63	13.5	17.5	31	6.5	45	4	M6	63	102
GN 300.6-63-M6-63-IS	63	13.5	17.5	31	6.5	45	4	M6	63	102
GN 300.6-63-M8-16-AS	63	13.5	17.5	31	6.5	45	4	M8	16	97
GN 300.6-63-M8-16-IS	63	13.5	17.5	31	6.5	45	4	M8	16	97
GN 300.6-63-M8-20-AS	63	13.5	17.5	31	6.5	45	4	M8	20	98
GN 300.6-63-M8-20-IS	63	13.5	17.5	31	6.5	45	4	M8	20	98
GN 300.6-63-M8-25-AS	63	13.5	17.5	31	6.5	45	4	M8	25	100
GN 300.6-63-M8-25-IS	63	13.5	17.5	31	6.5	45	4	M8	25	100
GN 300.6-63-M8-32-AS	63	13.5	17.5	31	6.5	45	4	M8	32	102
GN 300.6-63-M8-32-IS	63	13.5	17.5	31	6.5	45	4	M8	32	102
GN 300.6-63-M8-40-AS	63	13.5	17.5	31	6.5	45	4	M8	40	105
GN 300.6-63-M8-40-IS	63	13.5	17.5	31	6.5	45	4	M8	40	105
GN 300.6-63-M8-50-AS	63	13.5	17.5	31	6.5	45	4	M8	50	107
GN 300.6-63-M8-50-IS	63	13.5	17.5	31	6.5	45	4	M8	50	107
GN 300.6-63-M8-63-AS	63	13.5	17.5	31	6.5	45	4	M8	63	112
GN 300.6-63-M8-63-IS	63	13.5	17.5	31	6.5	45	4	M8	63	112

GN 300.6-78-M8-20-AS	78	16	21	36	8	55	4	M8	20	155
GN 300.6-78-M8-20-IS	78	16	21	36	8	55	4	M8	20	155
GN 300.6-78-M8-25-AS	78	16	21	36	8	55	4	M8	25	157
GN 300.6-78-M8-25-IS	78	16	21	36	8	55	4	M8	25	157
GN 300.6-78-M8-32-AS	78	16	21	36	8	55	4	M8	32	158
GN 300.6-78-M8-32-IS	78	16	21	36	8	55	4	M8	32	158
GN 300.6-78-M8-40-AS	78	16	21	36	8	55	4	M8	40	162
GN 300.6-78-M8-40-IS	78	16	21	36	8	55	4	M8	40	162
GN 300.6-78-M8-50-AS	78	16	21	36	8	55	4	M8	50	167
GN 300.6-78-M8-50-IS	78	16	21	36	8	55	4	M8	50	167
GN 300.6-78-M8-63-AS	78	16	21	36	8	55	4	M8	63	174
GN 300.6-78-M8-63-IS	78	16	21	136	8	55	4	M8	63	174
GN 300.6-78-M8-80-AS	78	16	21	36	8	55	4	M8	80	181
GN 300.6-78-M8-80-IS	78	16	21	36	8	55	4	M8	80	181
GN 300.6-78-M10-20-AS	78	16	21	36	8	55	4	M10	20	163
GN 300.6-78-M10-20-IS	78	16	21	36	8	55	4	M10	20	163
GN 300.6-78-M10-25-AS	78	16	21	36	8	55	4	M10	25	165
GN 300.6-78-M10-25-IS	78	16	21	36	8	55	4	M10	25	165
GN 300.6-78-M10-32-AS	78	16	21	36	8	55	4	M10	32	166
GN 300.6-78-M10-32-IS	78	16	21	36	8	55	4	M10	32	166
GN 300.6-78-M10-40-AS	78	16	21	36	8	55	4	M10	40	170
GN 300.6-78-M10-40-IS	78	16	21	36	8	55	4	M10	40	170
GN 300.6-78-M10-50-AS	78	16	21	36	8	55	4	M10	50	176
GN 300.6-78-M10-50-IS	78	16	21	36	8	55	4	M10	50	176
GN 300.6-78-M10-63-AS	78	16	21	36	8	55	4	M10	63	183
GN 300.6-78-M10-63-IS	78	16	21	36	8	55	4	M10	63	183
GN 300.6-78-M10-80-AS	78	16	21	36	8	55	4	M10	80	190
GN 300.6-78-M10-80-IS	78	16	21	36	8	55	4	M10	80	190
GN 300.6-92-M10-20-AS	92	19	24	43	11	63	4	M10	20	240
GN 300.6-92-M10-20-IS	92	19	24	43	11	63	4	M10	20	240
GN 300.6-92-M10-25-AS	92	19	24	43	11	63	4	M10	25	245
GN 300.6-92-M10-25-IS	92	19	24	43	11	63	4	M10	25	245
GN 300.6-92-M10-32-AS	92	19	24	43	11	63	4	M10	32	249
GN 300.6-92-M10-32-IS	92	19	24	43	11	63	4	M10	32	249
GN 300.6-92-M10-40-AS	92	19	24	43	11	63	4	M10	40	253
GN 300.6-92-M10-40-IS	92	19	24	43	11	63	4	M10	40	253
GN 300.6-92-M10-50-AS	92	19	24	43	11	63	4	M10	50	259
GN 300.6-92-M10-50-IS	92	19	24	43	11	63	4	M10	50	259
GN 300.6-92-M10-63-AS	92	19	24	43	11	63	4	M10	63	265
GN 300.6-92-M10-63-IS	92	19	24	43	11	63	4	M10	63	265
GN 300.6-92-M10-80-AS	92	19	24	43	11	63	4	M10	80	275
GN 300.6-92-M10-80-IS	92	19	24	43	11	63	4	M10	80	275
GN 300.6-92-M12-20-AS	92	19	24	43	11	63	4	M12	20	242
GN 300.6-92-M12-20-IS	92	19	24	43	11	63	4	M12	20	242
GN 300.6-92-M12-25-AS	92	19	24	43	11	63	4	M12	25	245

GN 300.6-92-M12-25-IS	92	19	24	43	11	63	4	M12	25	245
GN 300.6-92-M12-32-AS	92	19	24	43	11	63	4	M12	32	249
GN 300.6-92-M12-32-IS	92	19	24	43	11	63	4	M12	32	249
GN 300.5-92-M12-40-AS	92	19	24	43	11	63	4	M12	40	253
GN 300.6-92-M12-40-IS	92	19	24	43	11	63	4	M12	40	253
GN 300.6-92-M12-50-AS	92	19	24	43	11	63	4	M12	50	259
GN 300.6-92-M12-50-IS	92	19	24	43	11	63	4	M12	50	259
GN 300.6-92-M12-63-AS	92	19	24	43	11	63	4	M12	63	265
GN 300.6-92-M12-63-IS	92	19	24	43	11	63	4	M12	63	265
GN 300.6-92-M12-80-AS	92	19	24	43	11	63	4	M12	80	275
GN 300.6-92-M12-80-IS	92	19	24	43	11	63	4	M12	80	275



STANDARD MACHINE ELEMENTS WORLDWIDE