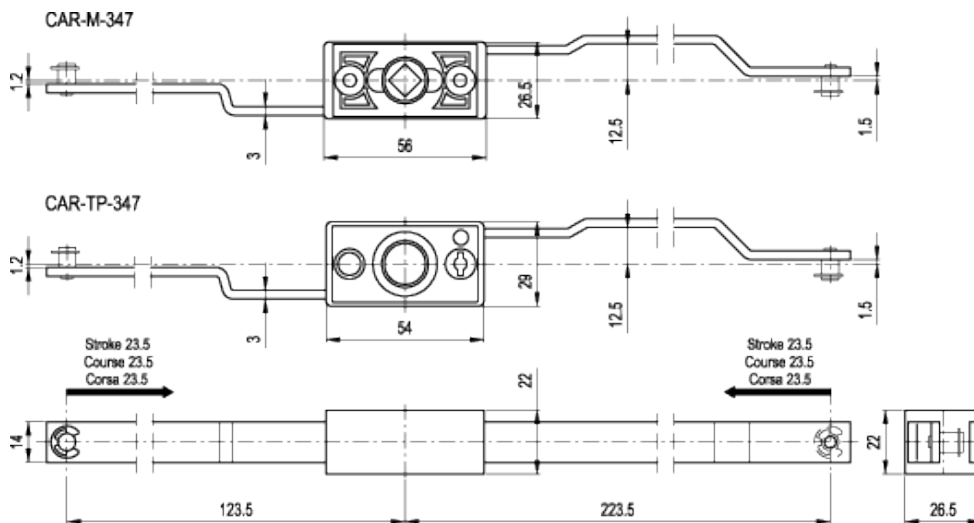


# CAR.

Rod controls



## technical informations

### Material

- CAR-M: nickel-plated zinc alloy.
- CAR-TP: glass-fibre reinforced polyamide based (PA) technopolymer. Resistant to solvents, oils, greases and other chemical agents.

### Toothed wheel

Zinc alloy with superficial chromate treatment.

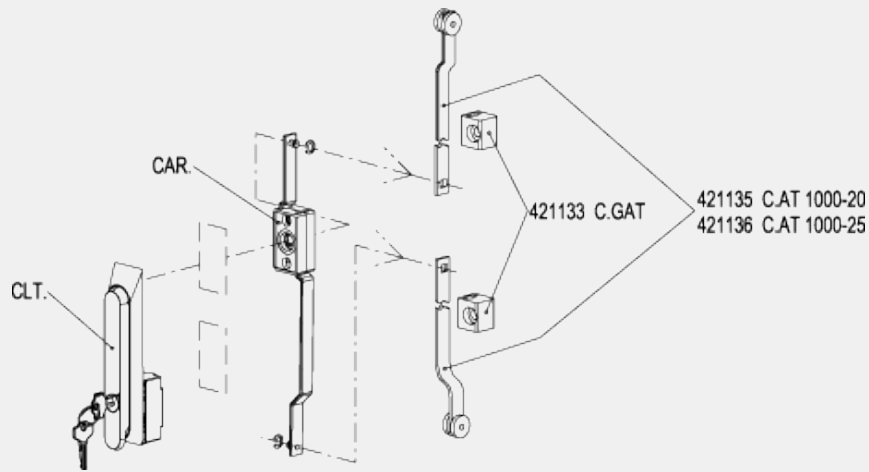
### Rod guides

Zinc-plated steel supplied with steel snap ring.

### Accessories on request

Rod control CAR. are used in combination with latches with handles CLT. (to be ordered separately).  
Other accessories on request:

- 2 black technopolymer rod guides: one rod guide every 500 mm of rod control (code 421133 description C.GAT);
- 2 flat galvanised steel rod guides, section 14x3 mm, length 1.000 mm and black technopolymer edge rolls for frame 20 mm thick (code 421135 description C.AT 1000-20) or 25 mm thick (code 421136 description C.AT 1000-25).



Standard Elements		Weight
Code	Description	g
420031	CAR-M-347	210
420032	CAR-TP-347	150



STANDARD MACHINE ELEMENTS WORLDWIDE